

HOOSHYAR

ROTARY ENCODER



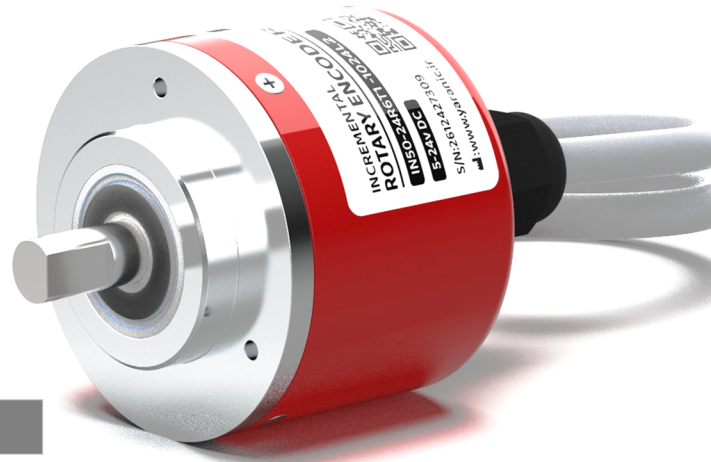
MADE IN IRAN

YARANICS.COM

INCREMENTAL ROTARY ENCODER

series **IN50**

- incremental encoder
- UP to 300 KHz output
- Operating temperature -10°C +100°C



MECHANICAL SPECIFICATIONS

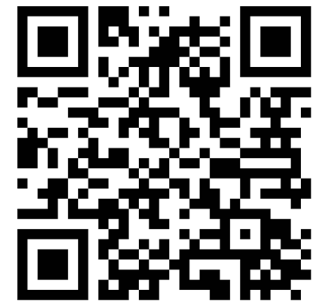
Dimensions:	see drawing
Shaft:	Ø 6, 8, 10, 12, 15, 20 mm
Shaft loading (axial and radial):	20 N max
Shaft rotational speed:	up to 6000 rpm
Bearings life:	10 ⁹ rev. min.
Weight:	~ 0.2 Kg

ELECTRICAL SPECIFICATIONS

Power supply:	5~24 V _{DC}
Protection:	against inversion of polarity against short circuit
Output pulse:	A, B, Z
(According to coding)	A, B, Z, /A, /B, /Z
	A, B
	U, V, W
Digital output Resolution:	14 bit (0.08 Deg)
PPR:	25, 50, 100, 200, 256, 300, 400, 500, 512, 1000, 1024
Output frequency:	UP to 300 KHz

MATERIALS

Flange:	Aluminum 7000
Housing:	Metal
Bearings:	608 2RS
Shaft:	stainless steel, non-magnetic

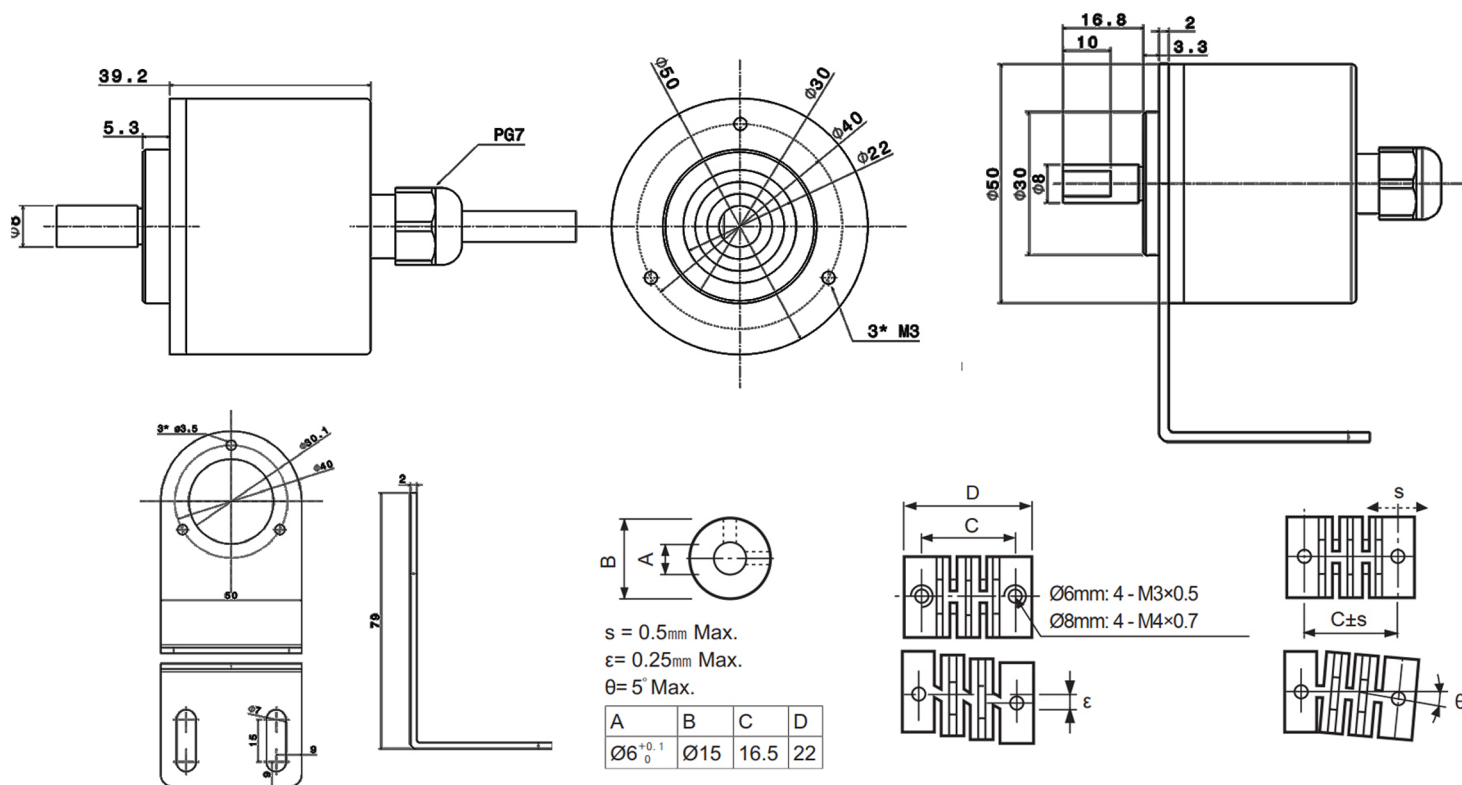


ELECTRICAL CONNECTIONS

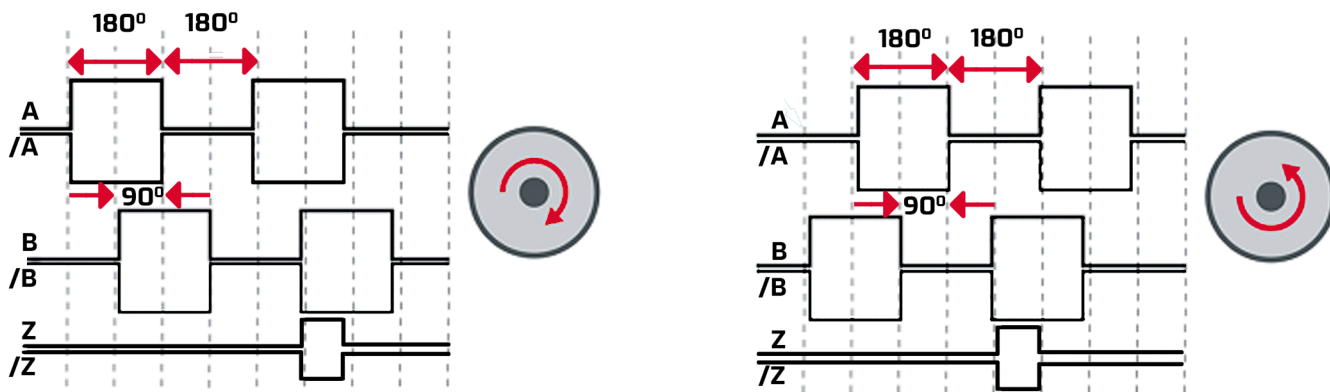
	LINE DRIVE	TOTEM-POLE
A:	YE	YE
B:	GN	GN
Z:	RD	WH
/A:	GR	-
/B:	OR	-
/Z:	BK	-
0V:	BL	BK
VCC:	BR	RD
SHIELD:	PINK	PINK

INCREMENTAL ROTARY ENCODER

series **IN50**



IN-OUT SIGNAL



ORDER CODE

IN50-BX-RX-TO-24-XXXX-X

Housing Diameter (mm)

Housing Diameter (mm)

Shaft Diameter (mm)

Output type

Supply

Pulse per revolution(PPR)

Connector

B: Blind
S: Socket weld
W: Weld neck

R: Radial
H: Blind hollow
T: Trough hollow

LD: Line drive
TO: Totem pole
PN: PNP
NP: NPN

6: 5 V_{cc}
24: 5~24 V_{cc}
36: 5~36 V_{cc}
42: 8~42 V_{cc}

Lx: Cable
Dx: DB Connector
Mx: MII Connector
Tx: Terminal



 **Hoshyar Sanat Espadana**
No. 301,17th St., Isfahan Science & Technology Town (ISTT)

 **+98 31 9 10 11 263**

 **Info@yaranics.com**

 **WWW.YARANICS.COM**