

# HOOSHYAR

## ROTARY ENCODER



MADE IN IRAN

[YARANICS.COM](http://YARANICS.COM)

# INCREMENTAL ROTARY ENCODER

series IN50

- incremental encoder
- UP to 300 KHz output
- Operating temperature  $-10^{\circ}\text{C} +100^{\circ}\text{C}$



## MECHANICAL SPECIFICATIONS

Dimensions:	see drawing
Shaft:	Ø 6, 8, 10, 12, 15, 20 mm
Shaft loading (axial and radial):	20 N max
Shaft rotational speed:	1500 rpm max
Bearings life:	10 <sup>9</sup> rev. min.
Weight:	~ 0.2 Kg

## ELECTRICAL SPECIFICATIONS

Power supply:	6-24v DC
Protection:	against inversion of polarity against short circuit
Output pulse: <small>(According to coding)</small>	A, B, Z A, B, Z, /A, /B, /Z A, B U, V, W
Digital output Resolution:	14 bit (0.08 Deg)
PPR:	25, 50, 100, 200, 256, 300, 400, 500, 512, 1000, 1024
Output frequency:	UP to 300 KHz

## MATERIALS

Flange:	Aluminum 7000
Housing:	Metal
Bearings:	608 2RS
Shaft:	stainless steel, non-magnetic

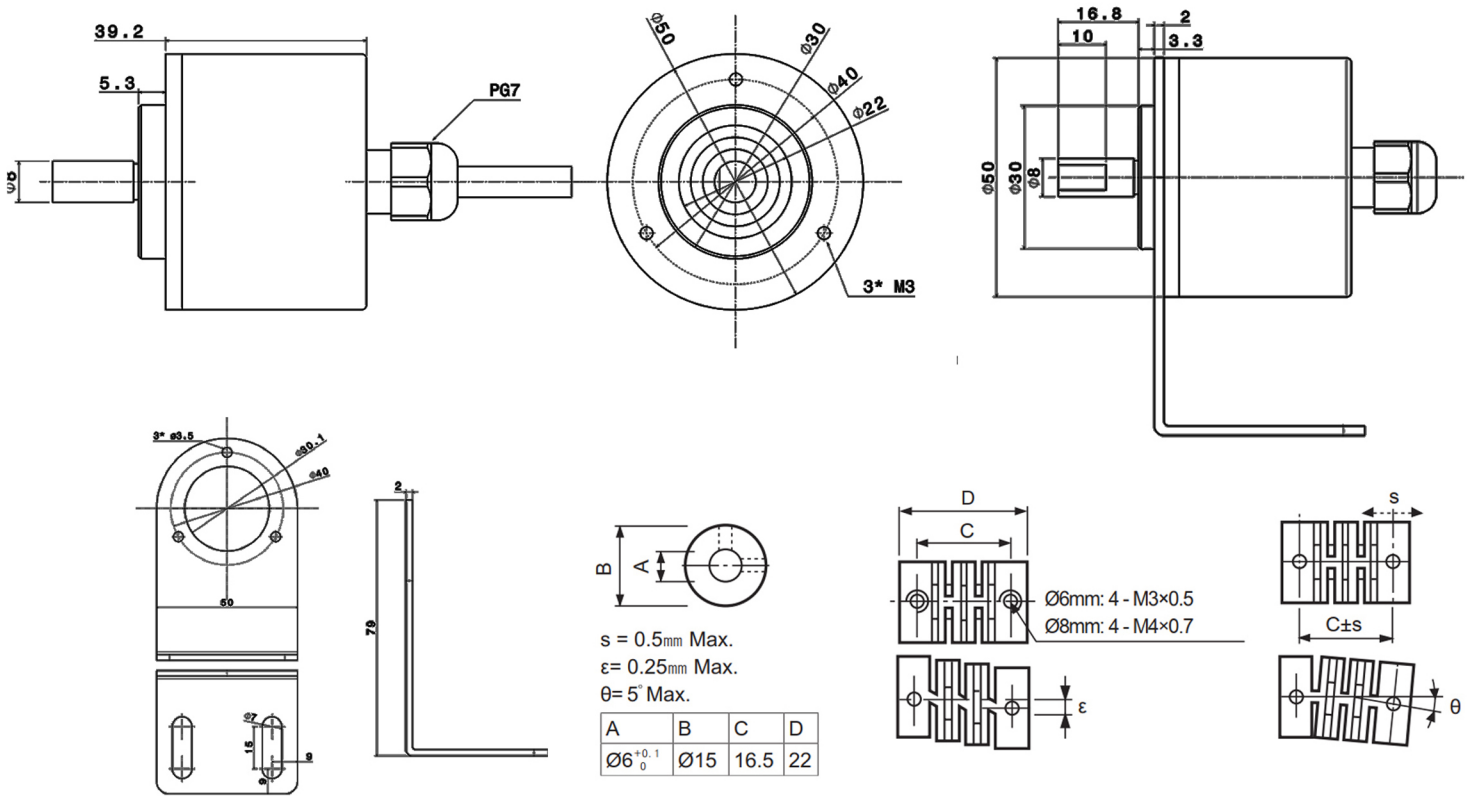


## ELECTRICAL CONNECTIONS

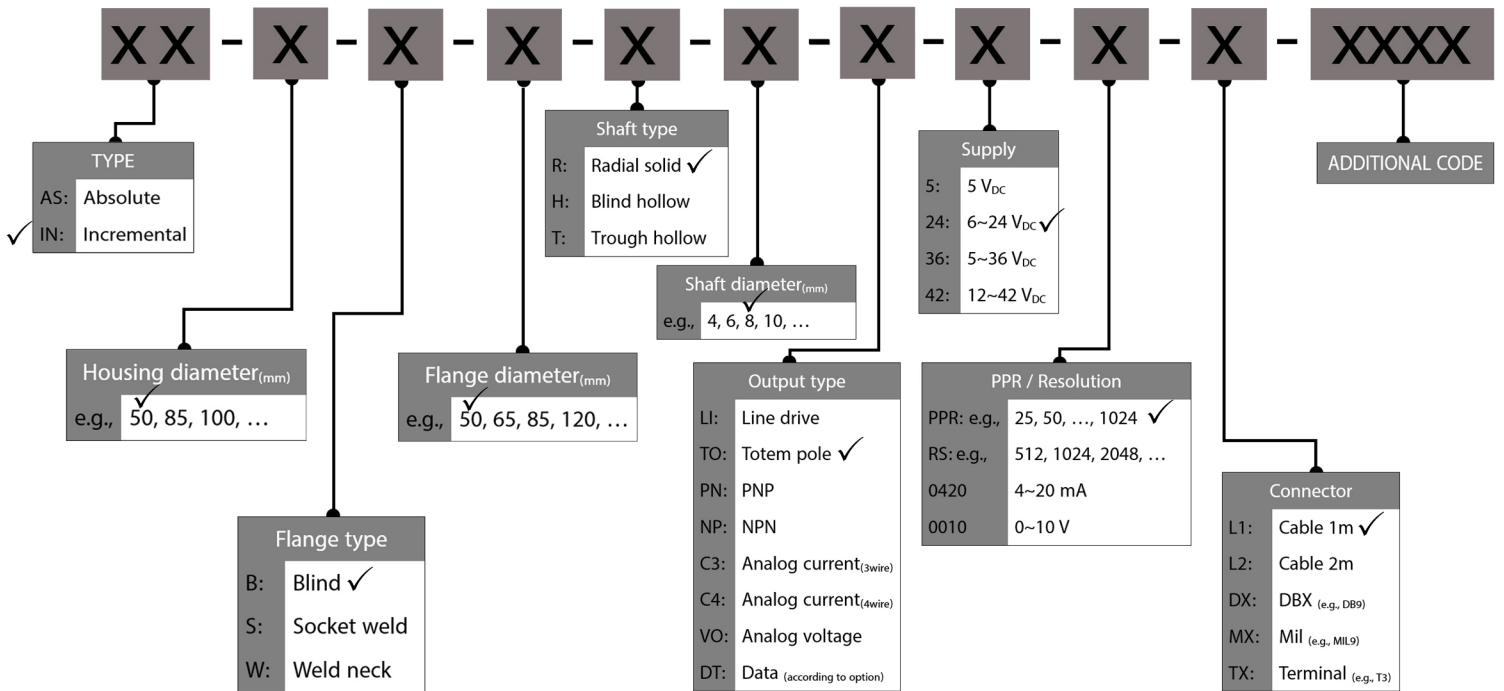
A:	Green
B:	Yellow
Z:	Red
/A:	White
/B:	Black
/Z:	Gray
0V:	Blue
VCC:	Brown
SHIELD:	N.C

# INCREMENTAL ROTARY ENCODER

series IN50



## ORDER CODE



# ABSULOTE ROTARY ENCODER

series AN100

- Heavy duty absolute encoder
- Stable analog output
- Operating temperature  $-10^{\circ}\text{C} +100^{\circ}\text{C}$



## MECHANICAL SPECIFICATIONS

Dimensions:	see drawing
Shaft:	$\varnothing$ 6, 8, 10, 12, 15, 20 mm
Shaft loading (axial and radial):	20 N max
Shaft rotational speed:	1500 rpm max
Bearings life:	$10^9$ rev. min.
Weight:	~ 1.5 kg

## ELECTRICAL SPECIFICATIONS

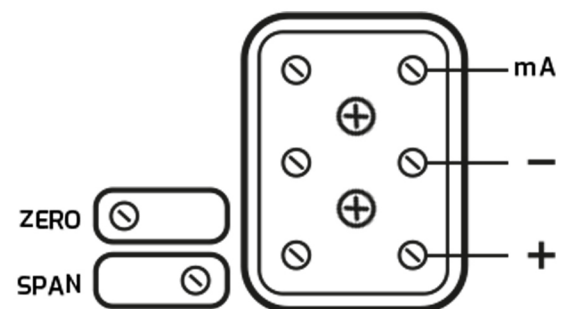
Power supply:	6-35v DC
Protection:	against inversion of polarity
Output:	Analog 4-20/ (0-20) mA
(According to coding)	Analog 0-10 V
Digital output Resolution:	14 bit

## MATERIALS

Flange:	Aluminum 7000
Housing:	Metal
Bearings:	6004 2RS
Shaft:	stainless steel, non-magnetic

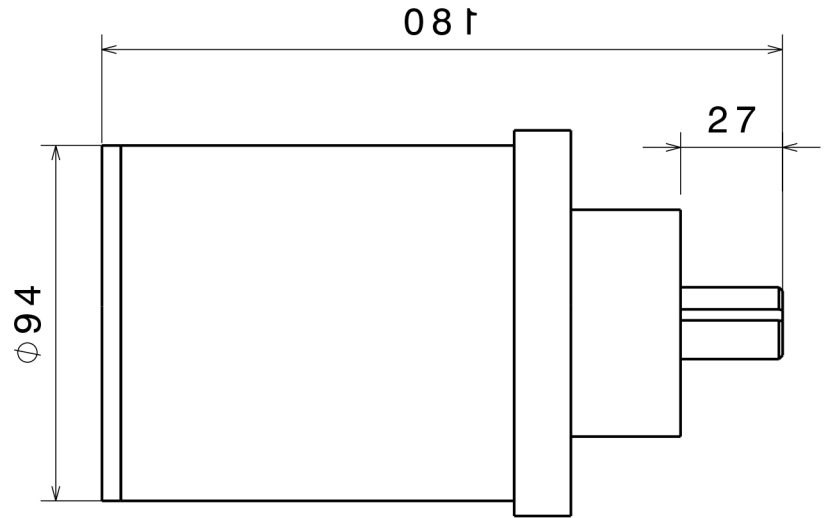
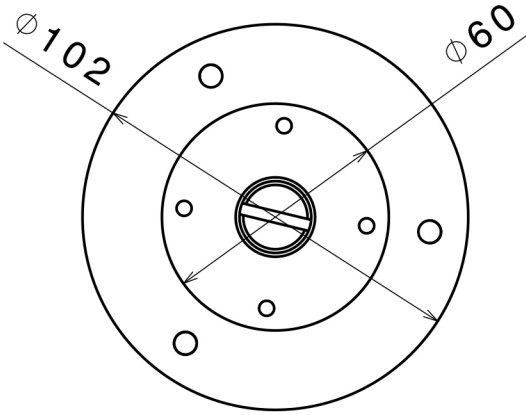


## ELECTRICAL CONNECTIONS

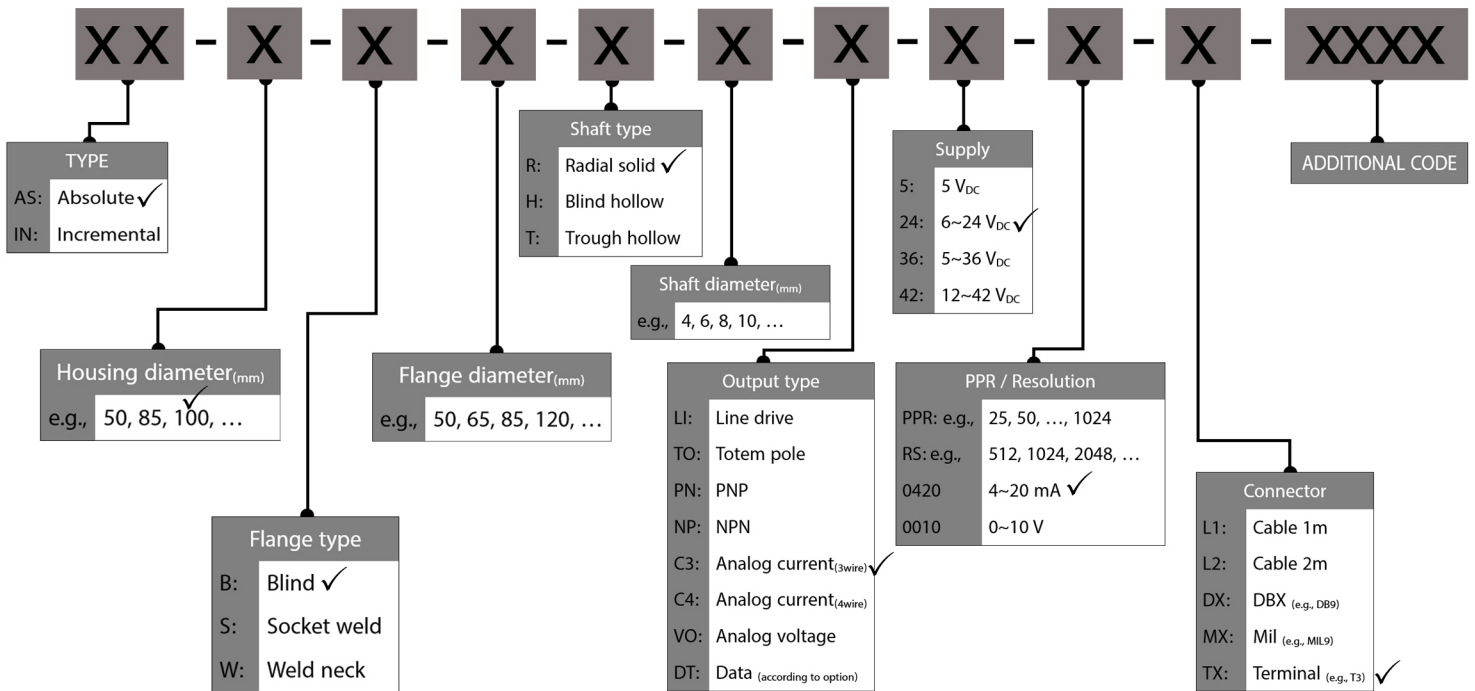


# ABSULOTE ROTARY ENCODER

series AN100



## ORDER CODE



# ABSULOTE ROTARY ENCODER

series AS58/AS58H

- Data absolute encoder
- Compatible by wide protocol
- Operating temperature  $-10^{\circ}\text{C}$   $+80^{\circ}\text{C}$


## MECHANICAL SPECIFICATIONS

Dimensions:	see drawing
Shaft:	$\varnothing$ 6, 8, 10, 12, 15, 20 mm
Shaft loading (axial and radial):	20 N max
Shaft rotational speed:	1500 rpm max
Bearings life:	$10^9$ rev. min.
Weight:	$\sim$ 0.1 Kg (single turn) $\sim$ 0.2 Kg (multi turn)

## ELECTRICAL SPECIFICATIONS

Power supply:	6-24v DC
Protection:	against inversion of polarity against short circuit
Output protocol: <small>(According to coding)</small>	Profibus, Modbus, SSI, Parallel
Digital output Resolution:	14 bit (single turn) 28 bit (multi turn)
Output frequency:	UP to 1Mb/sec

## MATERIALS

Flange:	Aluminum 7000
Housing:	Aluminum
Bearings:	608 2RS 
Shaft:	stainless steel, non-magnetic

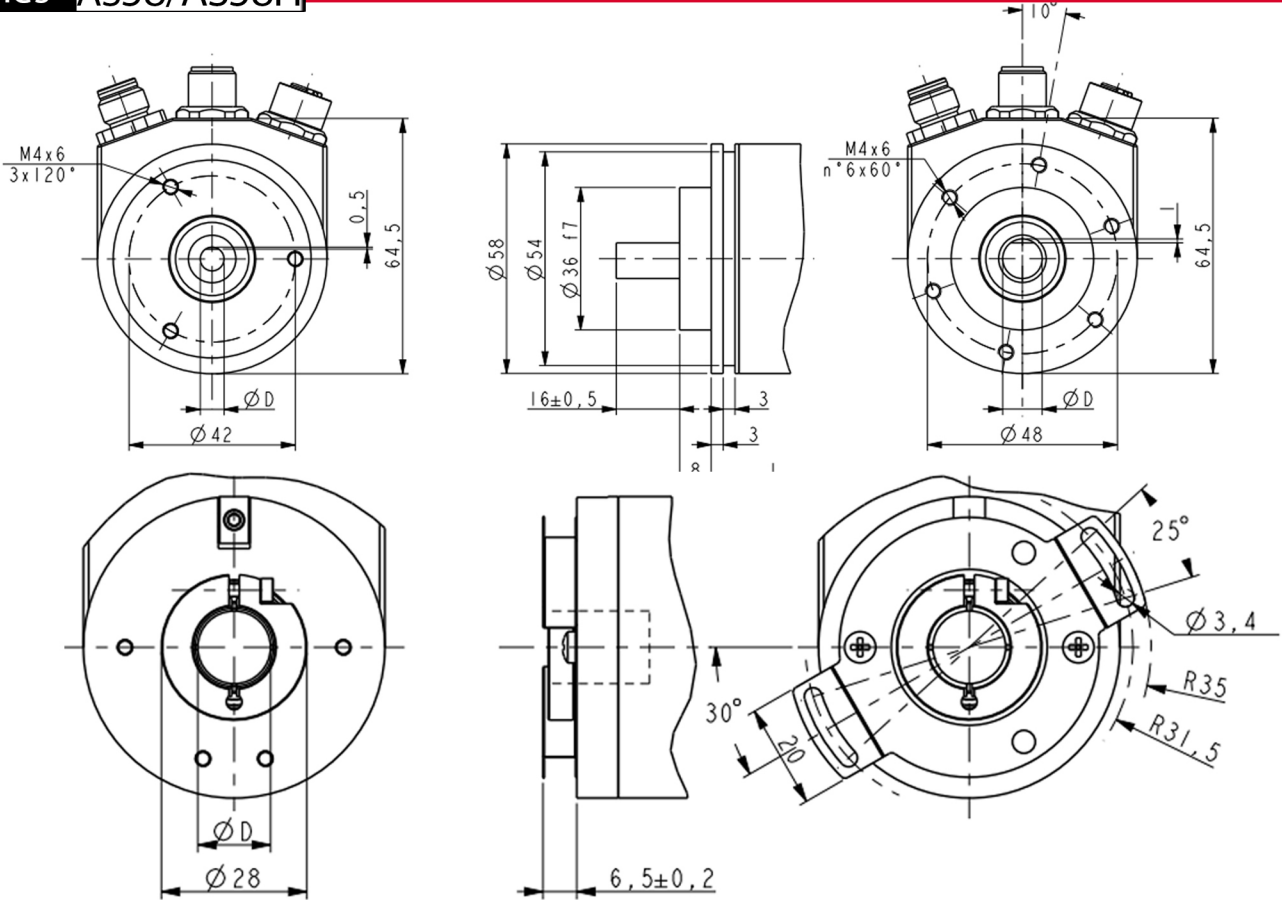


## ELECTRICAL CONNECTIONS

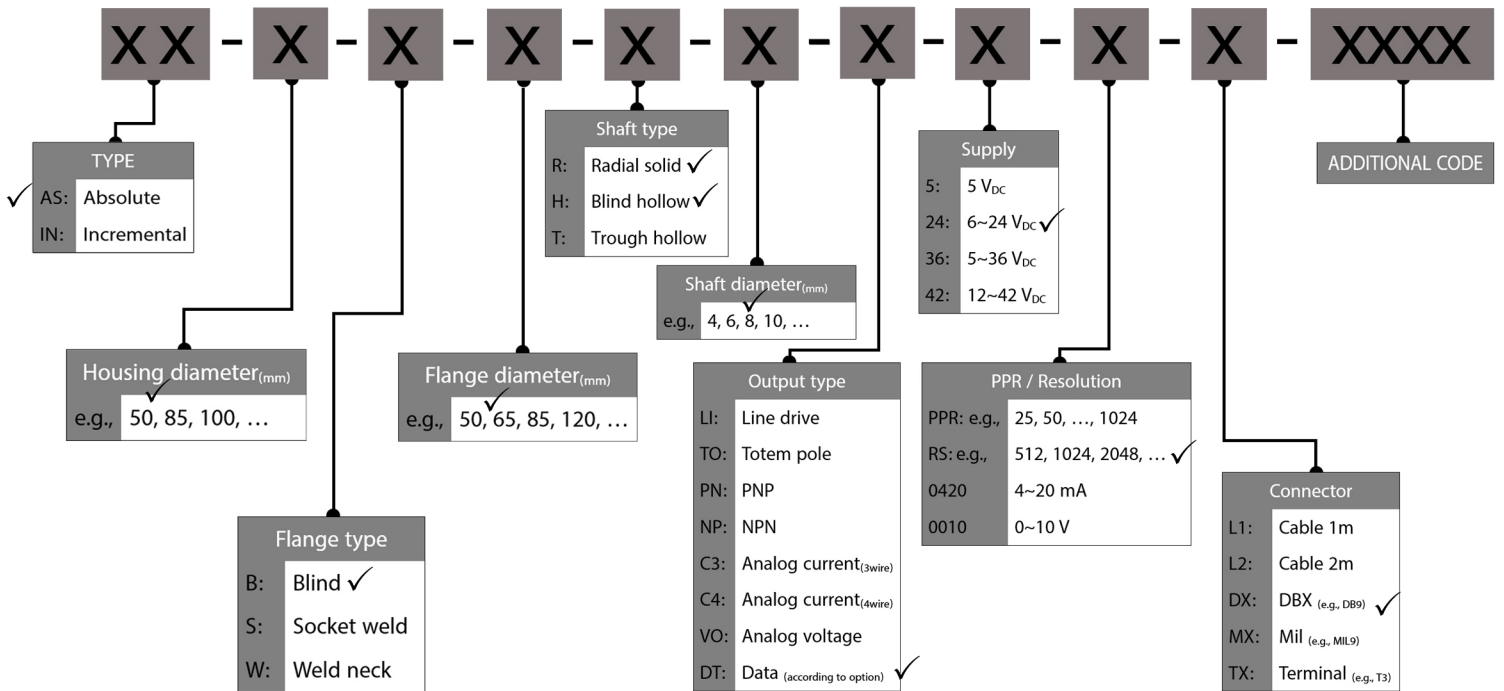
Refer to the user guide

# ABSOLUTE ROTARY ENCODER

series AS58/AS58H



## ORDER CODE





# HOOSHYAR



**Hoshyar Sanat Spadana**  
2th Floor, No.209 Andishe2, Isfahan Science  
and Technology Town, Isfahan University of  
Technology Boulevard, Isfahan



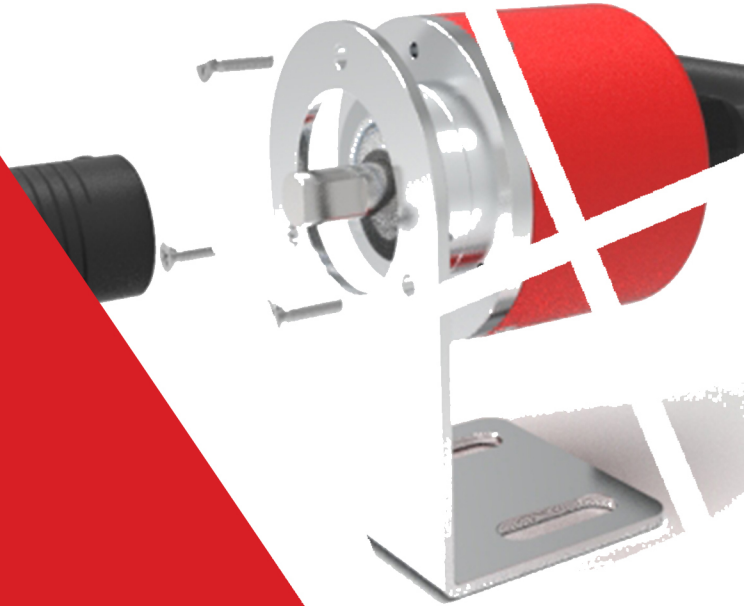
+98 31-33931263



Info@yaranics.com



www.Yaranics.com



Download me...